

DECKING INSTALLATION GUIDE



**WOOD.
REFINED.
REDEFINED.**

 **TANTIMBER**

✉ info@tantimber.com ☎ 0 216 232 2826

DECK INSTALLATION GUIDE

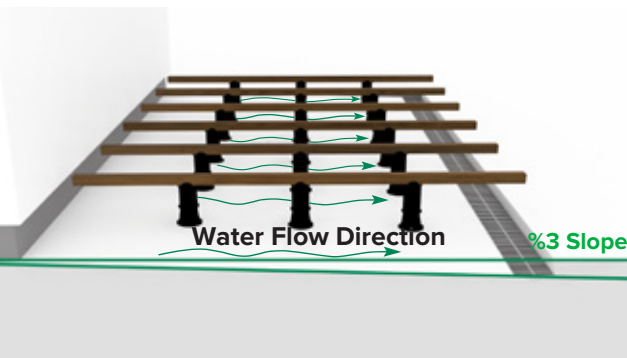
WORK SAFETY MEASURES

Safety First

Before starting to work, we remind you that all work safety precautions must be taken. The use of required safety equipment (helmet, gloves, goggles, protective footwear, etc.) constitutes the technical dimension of work safety.

BEFORE STARTING TO INSTALLATION

Before the application, floor needs to be prepared for the Tantimber Decking application. The following points should be observed during the preparation and installation.

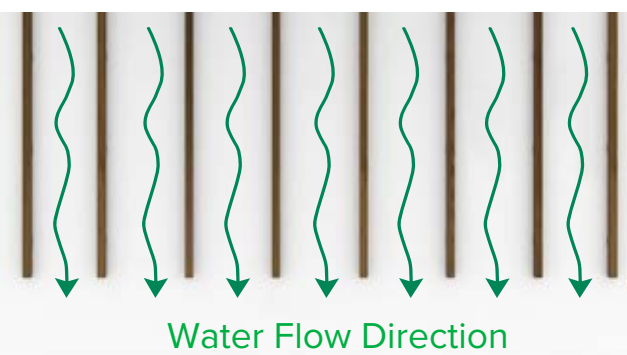
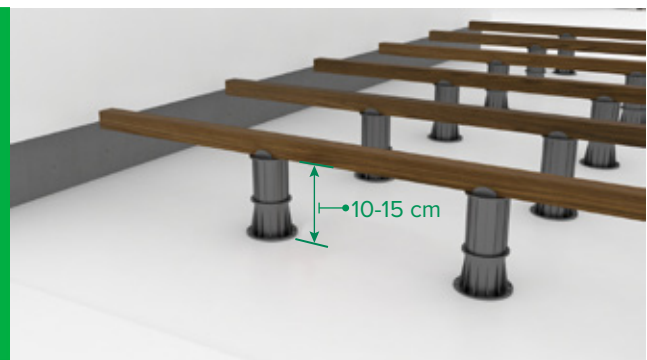


In order to prevent water accumulation on the decking surface, the ground should be sloped of a minimum 3% towards water drainage.

The floor to be applied must be rigid and the contact between the soil and the underconstructions must be prevented.

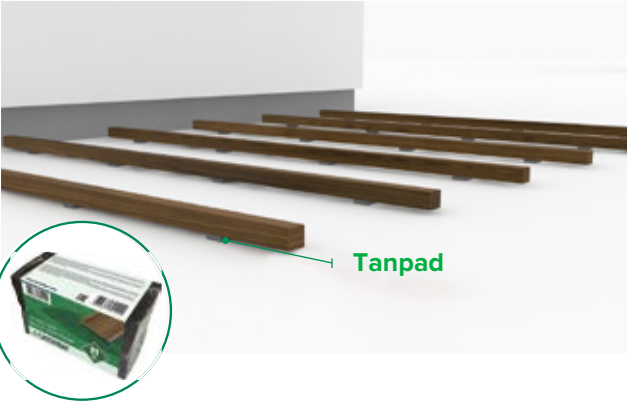
UNDERCONSTRUCTION

To carry out the best decking applications, the decks should be 10-15 cm (4"-6") high from the ground. You can provide this distance with Tantimber Pedestals and Tantimber Underconstructions.



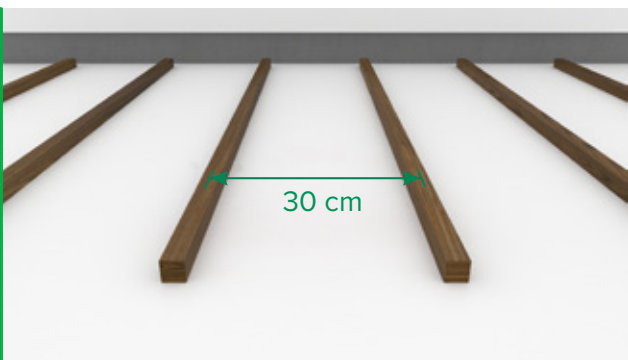
During the process of mounting the underconstruction to the floor; should be applied perpendicular to the drainage so as not to cut the flow direction of the water.

DECK INSTALLATION GUIDE



For Thermowood decking applications, it is recommended to use Thermowood underconstruction which has undergone the same process. It is recommended to cut off the contact of the (decking +underconstruction) and (underconstruction+concrete) materials to provide air circulation and water flow. For a precise solution to this purpose use of TanPad products are recommended. This will prevent water accumulation and will create airflow under the decking.

The distance between underconstructions should be determined according to the thickness of the decking and wood type.



According to this; maximum distance between underconstructions should be

WOOD SPECIE	DECK THICKNESS (mm)	UNDERCONSTRUCTION DISTANCE (cm)
Thermowood Ash	21 mm	Between 30 -45 cm (12"-16")
Thermowood Ash	25 mm	Max. 50 cm (16"-18")
Thermowood Ash	40 mm	60 cm (16"-18")
Thermowood Iroko	20 mm	Between 30-45 cm (12"-16")
Thermowood Iroko	40 mm	60 cm (16"-18")
Thermowood Pine	26 mm	45 cm (16")
Thermowood Pine	40 mm	Max. 60 cm (16"-18")

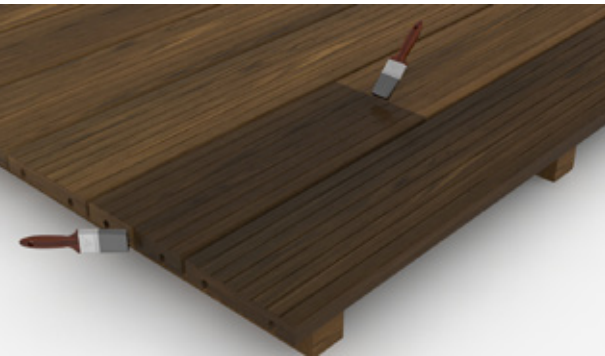
■ DECK INSTALLATION GUIDE

Underconstructions should be mounted by counter-sinking or using stainless steel screws with high torsion power.

If decking application is to be made on metal construction, it is recommended to use wooden under-construction on metalwork. Thus, the different working behaviours of metal and wood are evaluated in the most efficient way.

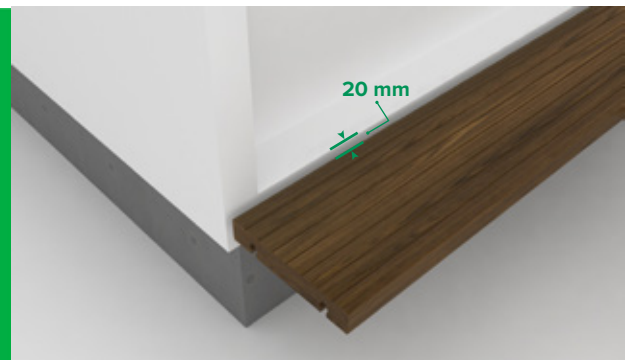


DECKING APPLICATION

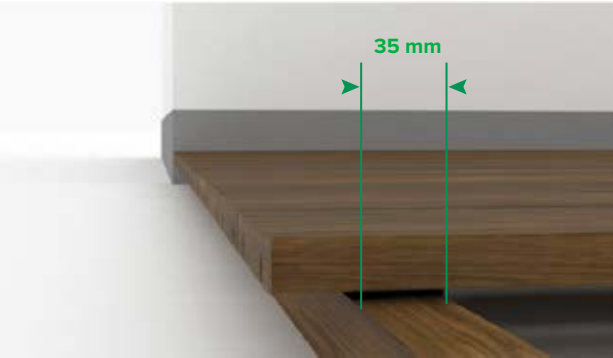


Before installing the product, the head parts should be sealed (whether or not end-matching is preferred) to prevent moisture absorption. Thus, end-splits that may occur are minimized.

In vertical or horizontal applications merging with walls, 20 mm space should be left between the wall and decking.

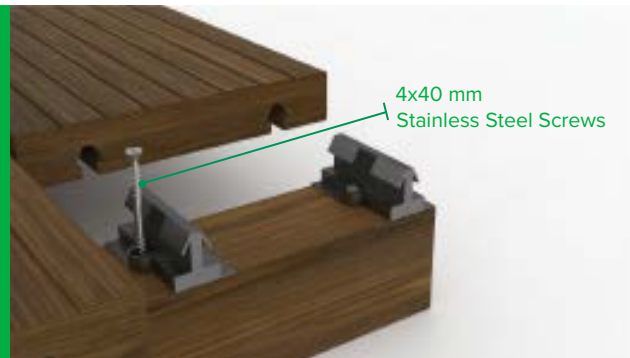


DECK INSTALLATION GUIDE

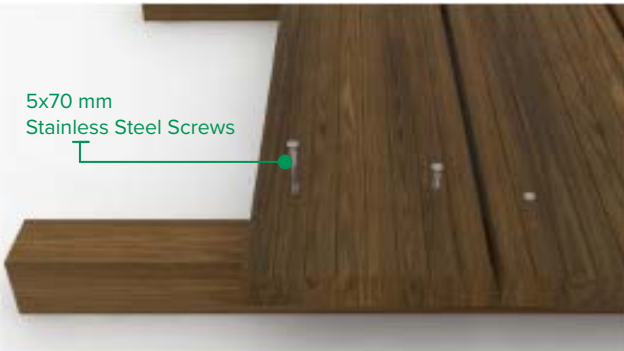


It is recommended that decking finishes are 35 mm longer than underconstruction.

It is recommended to use 4x40 mm stainless steel screws with Tantimber hidden fastening decking applications.

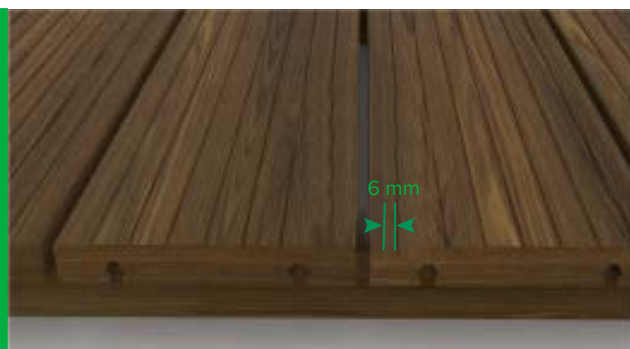


5x70 mm
Stainless Steel Screws

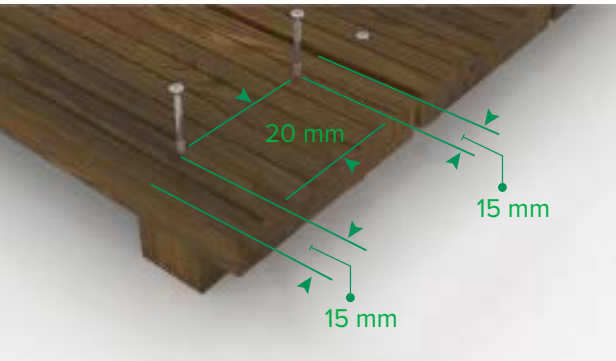


In mount face screwed decking applications 5x70 mm stainless steel screws with high torsion should be used.

The gap between deckings should be 5-6 mm. With Tantak System clips, this distance is given automatically.

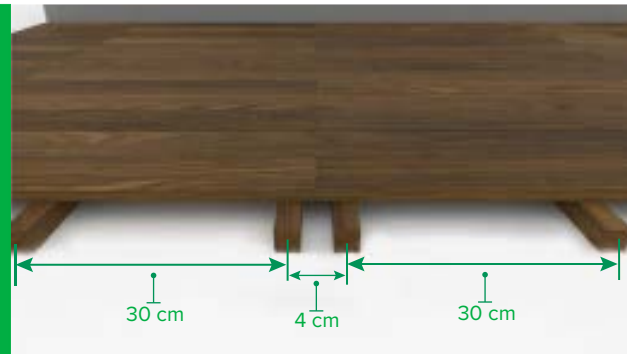


DECK INSTALLATION GUIDE

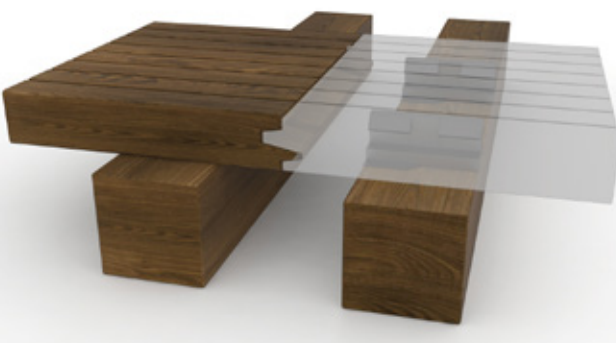
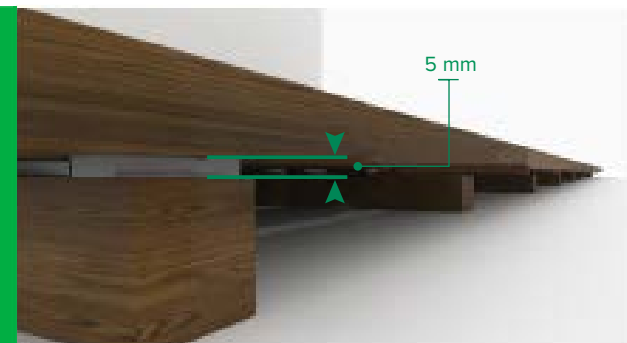


While screwing the mount faced deckings; screwing must be driven at 15 mm indent from the side endpoints and minimum 20 mm from the heads.

It is recommended to use Tantimber end-matching deckings which provide ease of application and reduce wastage. Where end matching is not preferred, 3 mm space should be left between the decking heads.



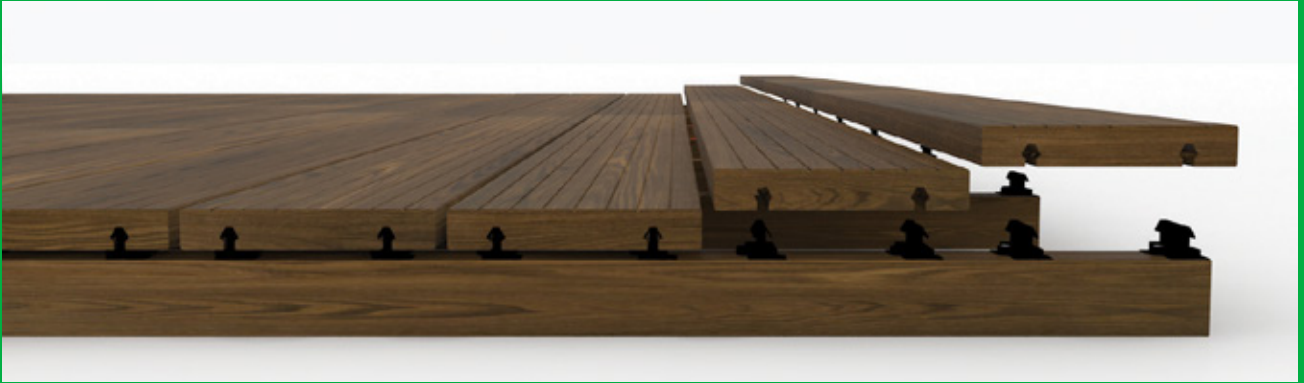
5 mm distance should be left between decking and underconstruction to avoid contact. With Tantak System clips, this distance is given automatically. With this method, air circulation will be provided and the moisture absorption is reduced to a minimum.



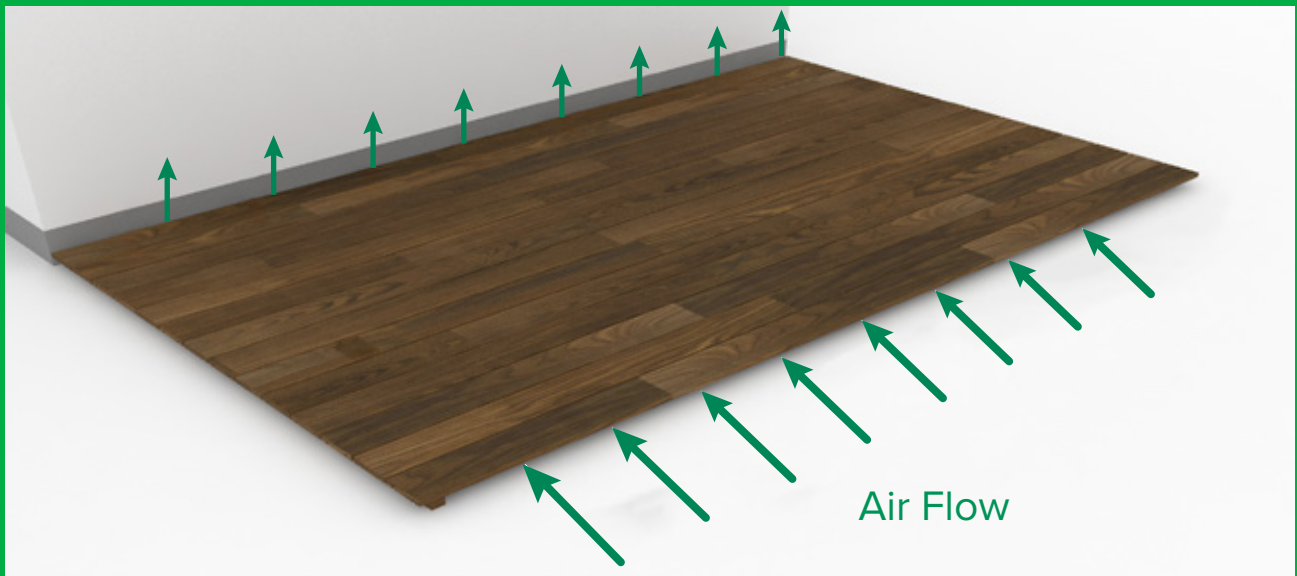
Whether with end-matching or not deck finishes do not have to be laid on underconstruction.

*Stainless steel screws must be used for decking applications.

■ DECK INSTALLATION GUIDE



In public areas and urban projects, mount face screwed deckings or Tantak System hidden clips should be preferred. In such places, the thickness of the wood should be min. 25mm.



In order to keep the wood dry continuously and prevent water accumulation below the decking area, it is necessary to provide the necessary distance for air circulation.