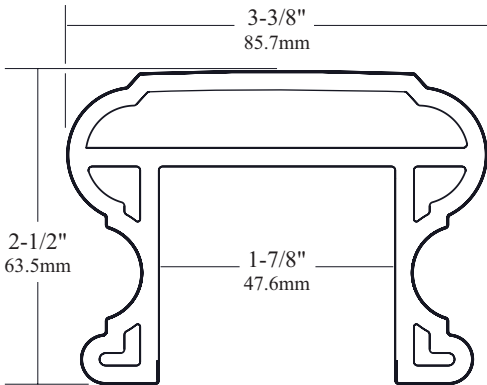


Top Rail Profile



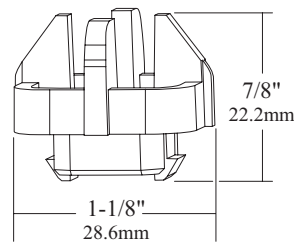
30" Balusters (36" Rail Height)

"A" - 34-1/8" 866.8mm  
 "B" - 29-1/2" 749.3mm

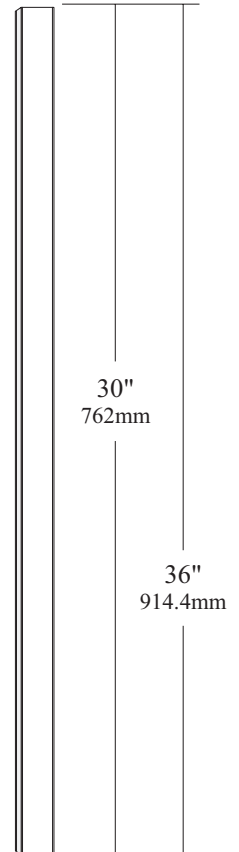
36" Balusters (42" Rail Height)

"A" - 40-1/8" 1019.2mm  
 "B" - 35-1/2" 901.7mm

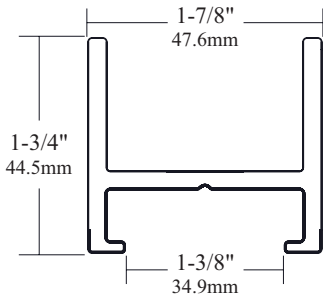
Baluster Connector Clip



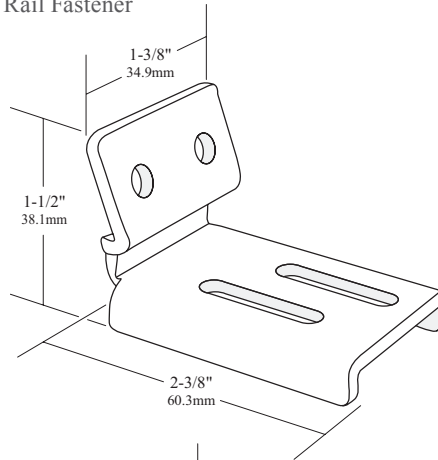
1-1/4" x 1-1/4" Composite Baluster



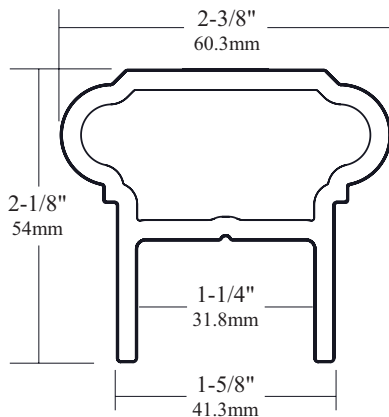
Baluster Retainer



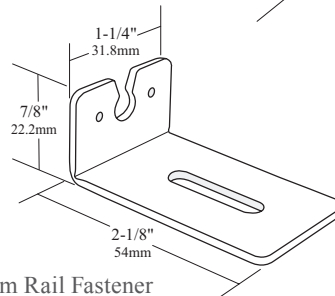
Top Rail Fastener



Bottom Rail Profile

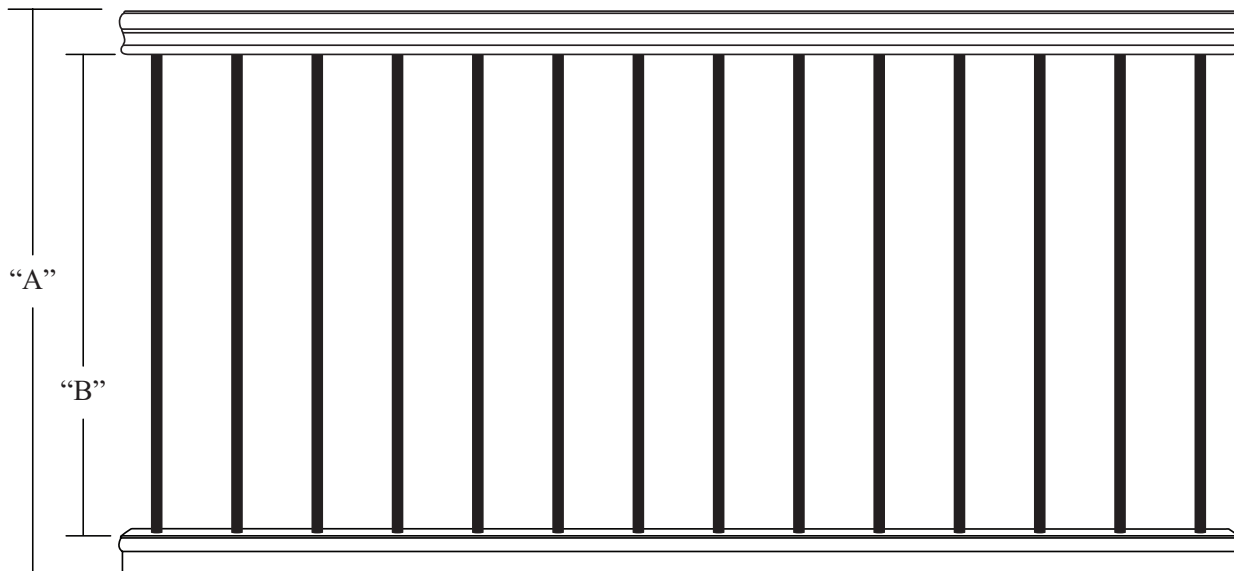


Bottom Rail Fastener

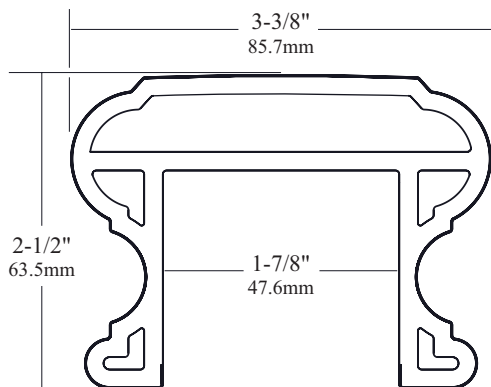


Dimensions and tolerances contained on drawings and figures are for reference only and may not encompass total allowable and approved dimensional variations.

DOCUMENT TITLE:		Composite Baluster Composite Railing Kit		
This drawing is the property of Green Bay Decking. Any hard copy of this drawing may not be current. This document and/or images contained within may not be reproduced in publication format without express written consent of Green Bay Decking. Drawings may not be to scale.				
<b>INTEGRA RAIL</b>		UOM	REF#	REV
SCALE	SHEET#	1 of 1	DRAWN BY	DATE
			AJH	1/21/10



Top Rail Profile



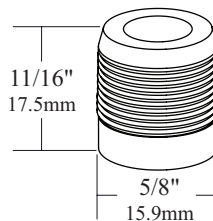
32" Balusters (36" Rail Height)

"A" - 36-1/8" 917.6mm  
 "B" - 31-1/2" 800.1mm

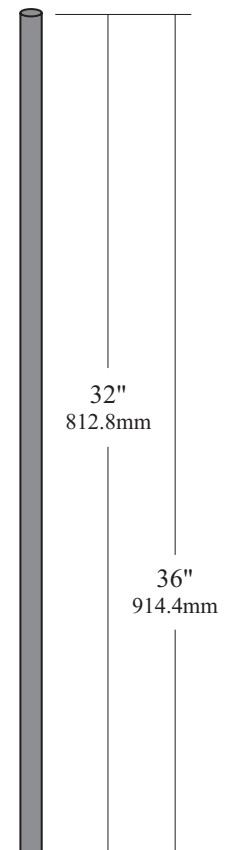
36" Balusters (42" Rail Height)

"A" - 40-1/8" 1019.2mm  
 "B" - 35-1/2" 901.7mm

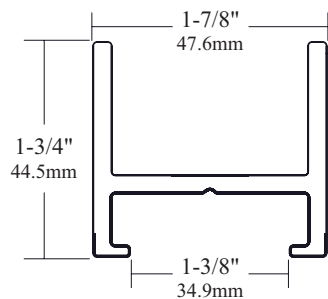
Aluminum Baluster Connector



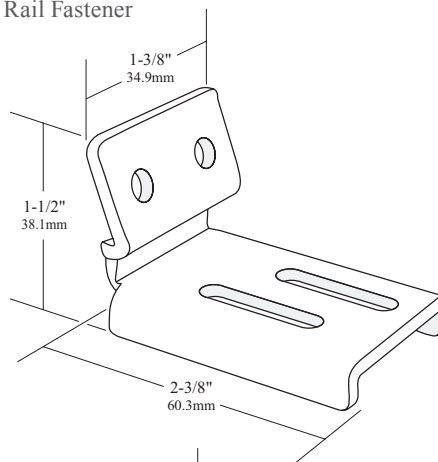
3/4" Aluminum Baluster



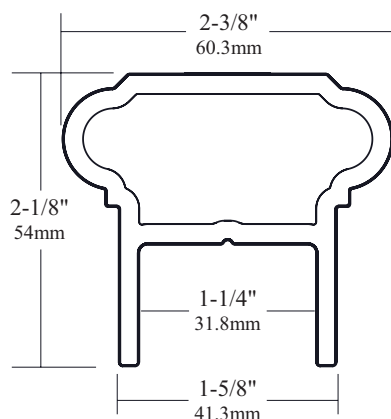
Baluster Retainer



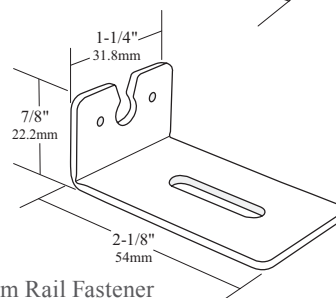
Top Rail Fastener



Bottom Rail Profile

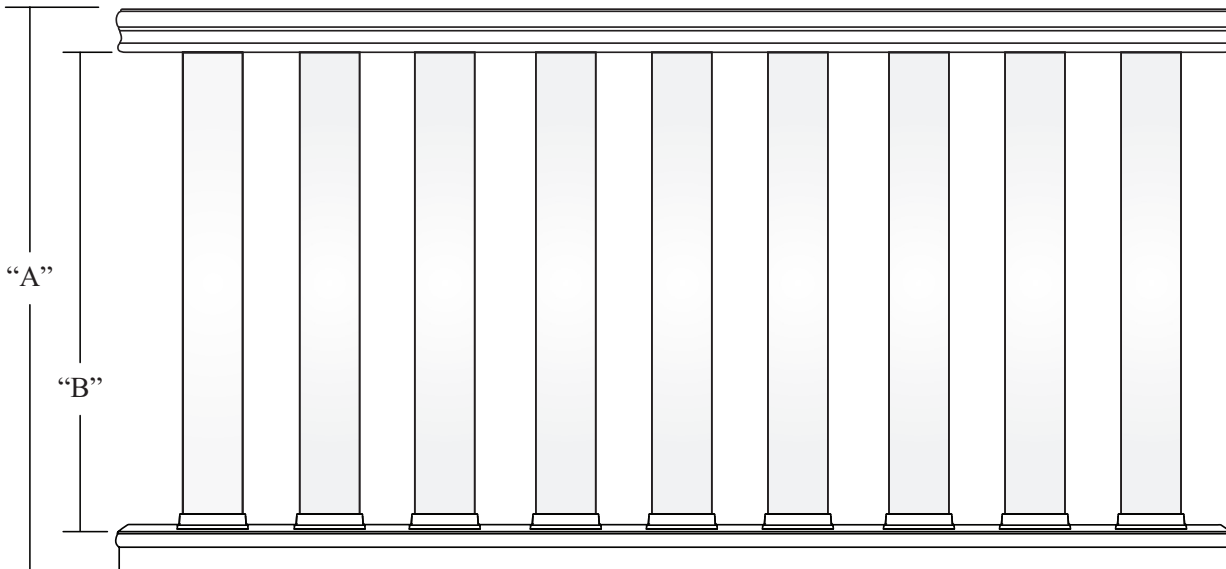


Bottom Rail Fastener

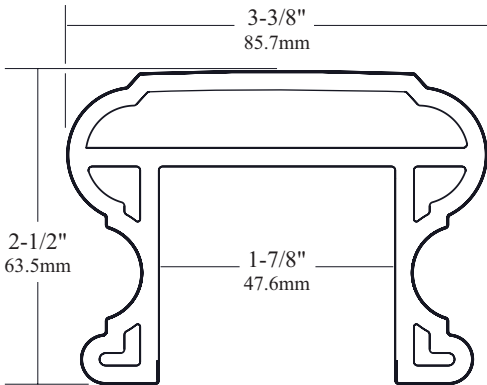


Dimensions and tolerances contained on drawings and figures are for reference only and may not encompass total allowable and approved dimensional variations.

DOCUMENT TITLE:		Aluminum Baluster Composite Railing Kit		
This drawing is the property of Green Bay Decking. Any hard copy of this drawing may not be current. This document and/or images contained within may not be reproduced in publication format without express written consent of Green Bay Decking. Drawings may not be to scale.				
<b>INTEGRA RAIL</b> Innovative strength and beauty		UOM: REF# inch/mm	SCALE: SHEET# 1 of 1	DRAWN BY: DATE AJH 1/21/10
				REV: v1.0



Top Rail Profile



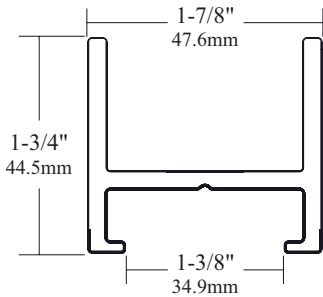
32" Balusters (36" Rail Height)

"A" - 36-7/8" 936.6mm  
 "B" - 32-1/4" 819.2mm

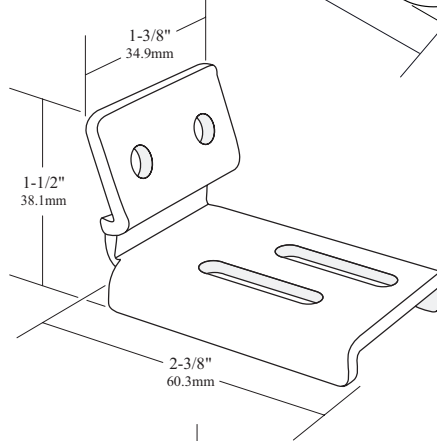
36" Balusters (42" Rail Height)

"A" - 42-7/8" 1089mm  
 "B" - 37-1/2" 952.5mm

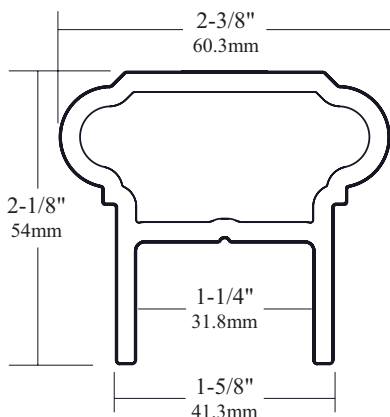
Baluster Retainer



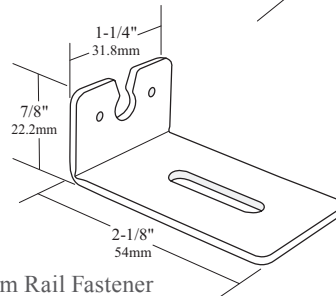
Top Rail Fastener



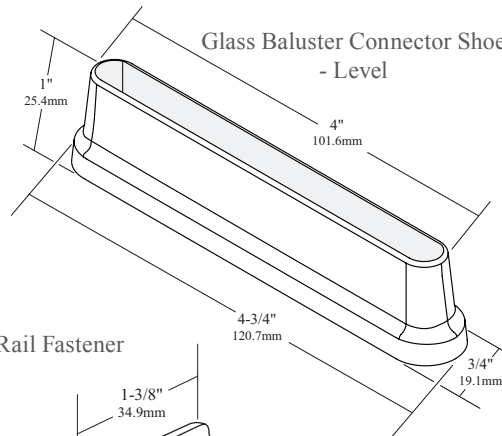
Bottom Rail Profile



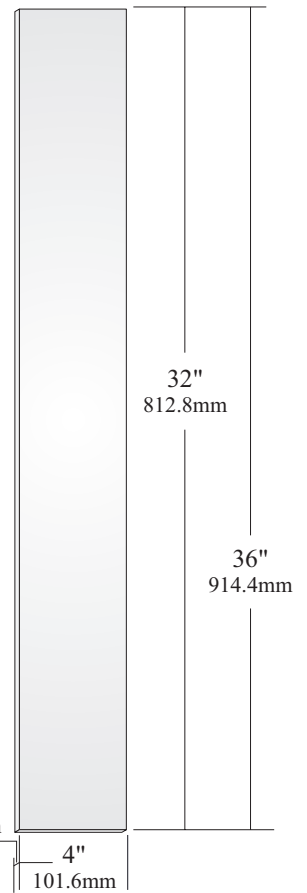
Bottom Rail Fastener



Glass Baluster Connector Shoe - Level



Glass Baluster



**INTEGRA RAIL**  
 Innovative strength and beauty

Dimensions and tolerances contained on drawings and figures are for reference only and may not encompass total allowable and approved dimensional variations.

DOCUMENT TITLE:		Glass Baluster Composite Railing Kit		
This drawing is the property of Green Bay Decking. Any hard copy of this drawing may not be current. This document and/or images contained within may not be reproduced in publication format without express written consent of Green Bay Decking. Drawings may not be to scale.				
UOM	REF#	REV	v1.0	
SCALE	SHEET#	DRAWN BY	DATE	1/21/10
	1 of 1	AJH		